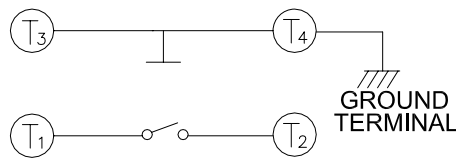
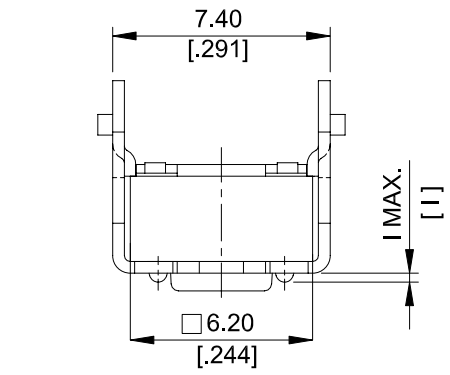


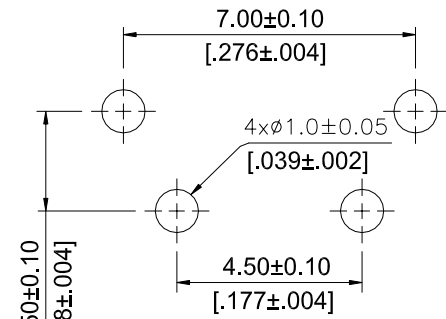
DTSA-6,DTSG-6(2) SERIES

DIMENSIONS

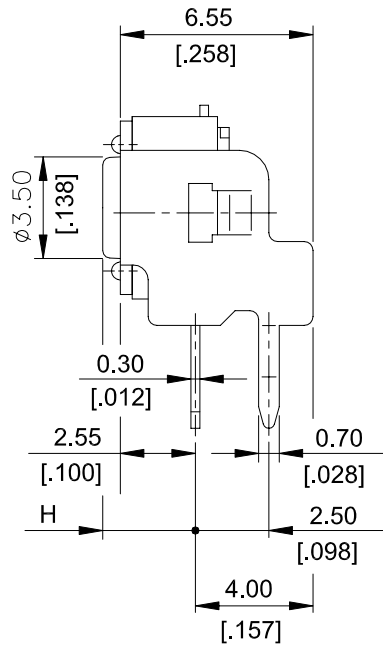
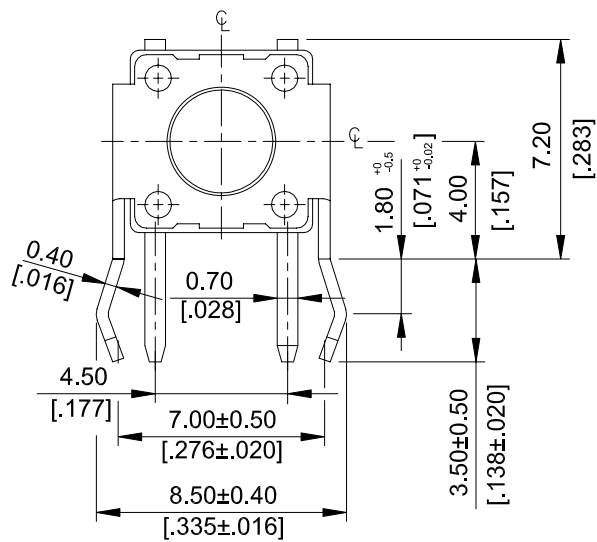
DTSA-6



CIRCUIT DIAGRAM



P.C.B. LAYOUT

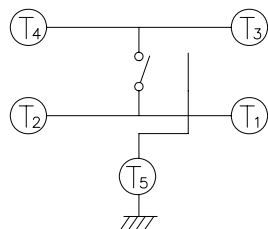
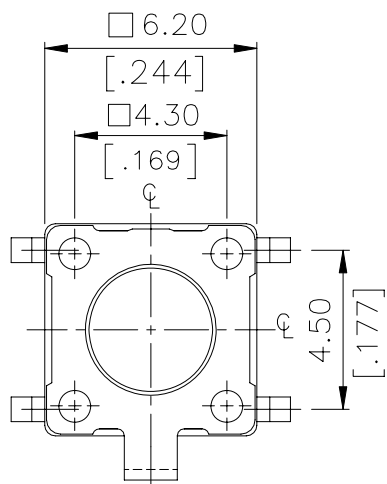


DTSA-62~66 □-V	0.4 MAX	.016 MAX
DTSA-61 □-V	0.3 MAX	.012 MAX
PROD.	NO.	I
		INCHES.

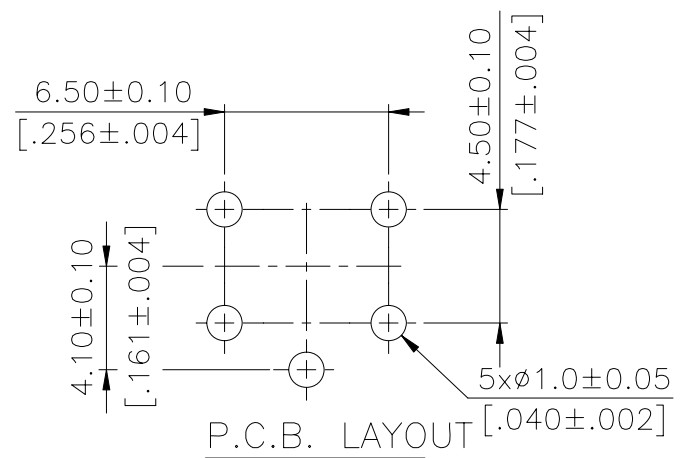
DTSA-66 □-V	11.85 [0.467]
DTSA-65 □-V	8.35 [0.329]
DTSA-63 □-V	5.85 [0.230]
DTSA-62 □-V	3.85 [0.152]
DTSA-61 □-V	3.15 [0.124]
PROD.	NO.
	H

General Tolerance : ±0.2mm

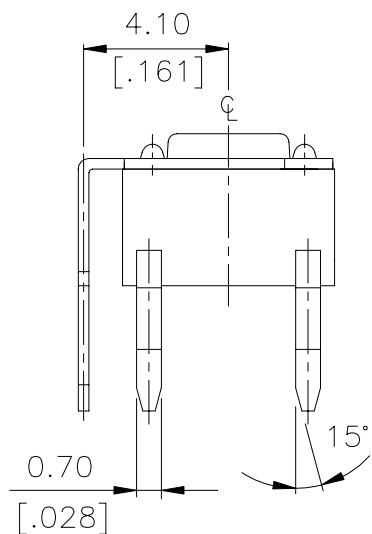
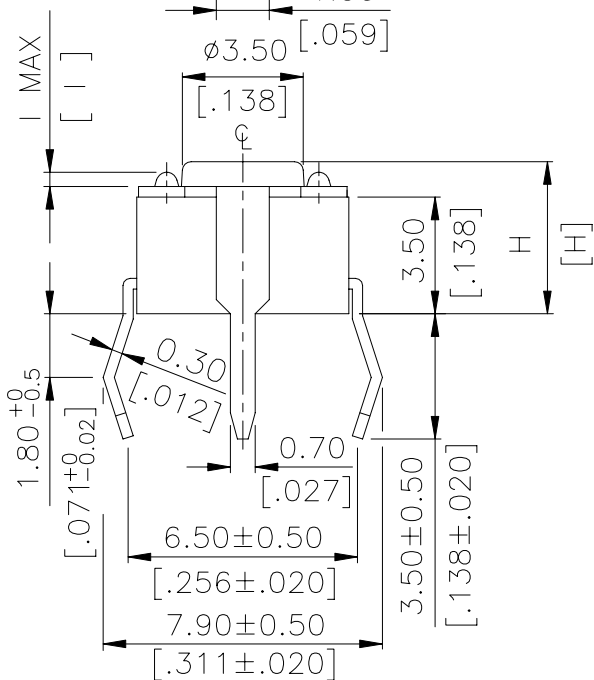
DTSG-6



CIRCUIT DIAGRAM



P.C.B. LAYOUT

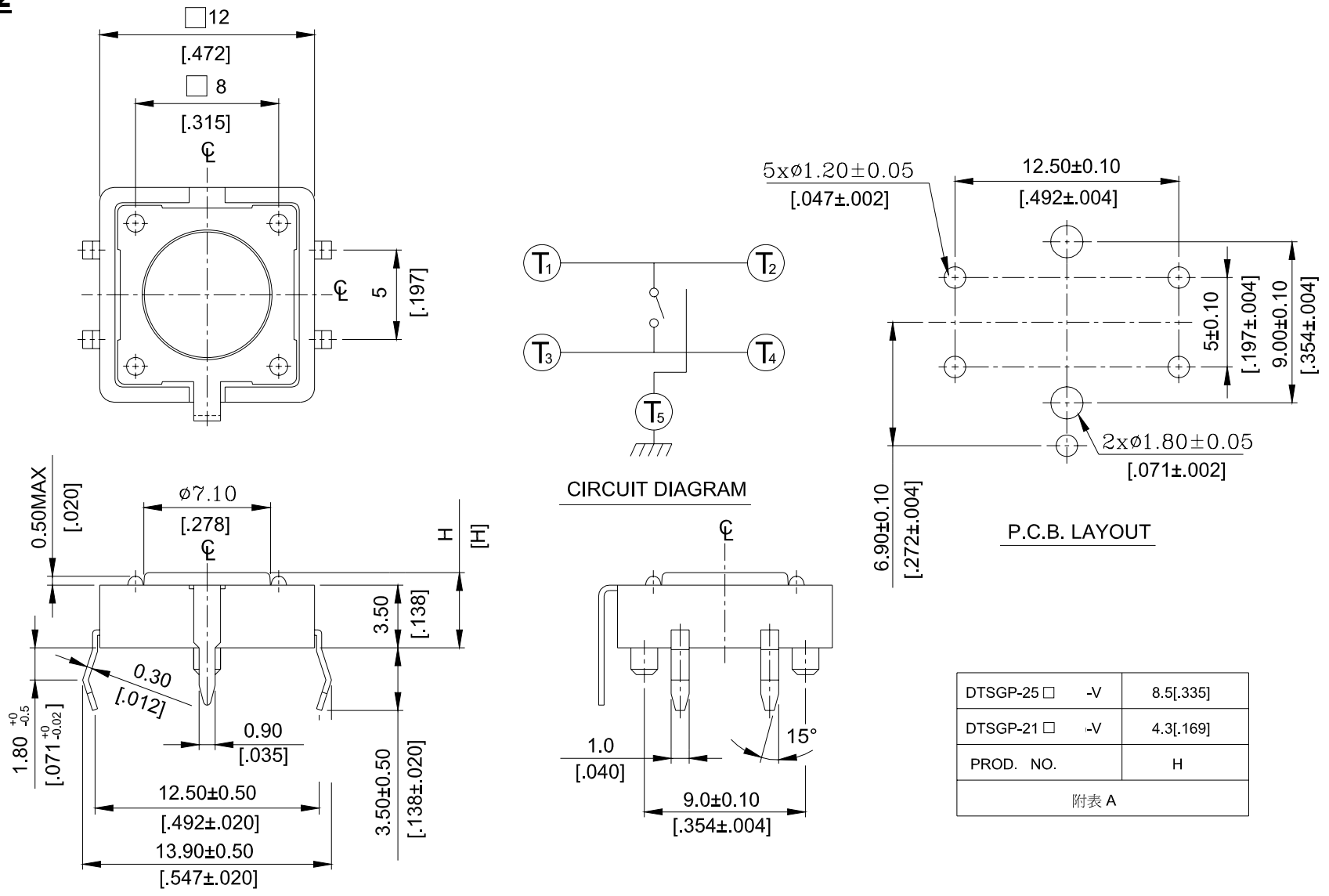


DTSG-62~66 □-V	0.5 MAX	.0196 MAX
DTSG-61 □-V	0.4 MAX	.016 MAX
PROD.	NO.	I
		INCHES.

DTSG-66 □-V	13.0 [0.512]
DTSG-65 □-V	9.5 [0.374]
DTSG-63 □-V	7.0 [0.275]
DTSG-62 □-V	5.0 [0.197]
DTSG-61 □-V	4.3 [0.169]
PROD.	NO.
	H

General Tolerance : ±0.2mm

DTSG(P)-2



General Tolerance : $\pm 0.2\text{mm}$

HOW TO ORDER

DTS □ □ - □ □ □ - □

Soldering
 V=Lead Free Solderable

Cover of Stem For Operatin Force:

- ▲K = Black, 100gf
- N = Brown, 160gf
- R = Red, 260gf
- S = Salmon, 320gf
- ▲Y = Yellow, 520gf
- <▲12x12, K,Y Unavailable>

Dimension H:

Code	DTSA-6	DTSG-6	DTSG(P)-2
▲(SQ.)x2.4mm	1 = 3.15mm	4.3mm	1= 4.3mm
(SQ.)X2.8mm	2 = 3.85mm	5.0mm	CODE(4)
	3 = 5.85mm	7.0mm	(SQ.)X3.8mm
	44 = 6.15mm	7.3mm	4= 7.3mm
	48 = 6.15mm	7.3mm	5= 8.5mm
	5 = 8.35mm	9.5mm	
	6 = 11.85mm	13.0mm	

Prod. Size:

- 6 = 6 x 6 mm
- 2 = 12 x 12 mm (12x12 only for DTSG)

□ = None Post
 P = With Post (For 12x12mm only)

DTSA = Right Angle Type Tactile Switch
 DTSG = With Ground Terminal Type Tactile Switch

SPECIFICATION

△MECHANICAL

520 ± 130gf Yellow (Y)
320 ± 80gf Salmon (S)
Operation Force: 260 ± 50gf Red (R)
160 ± 50gf Brown (N)
100 ± 50gf Black (K)
Stop Strength: Max. 3kgf vertical static load continuously for 15 seconds.
Stroke: (6x6) 0.25 + 0.2 mm / - 0.1mm
(12x12) 0.35 ± 0.10 mm
Operation Temperature: -25°C to +70°C
Storage Temperature: -30°C to +80°C

△ELECTRICAL

Electrical Life: (6X6)
300,000 cycles for 320gf, 520gf
500,000 cycles for 260gf
1,000,000 cycles for 100gf, 160gf
Electrical Life: (12X12)
100,000 cycles for 320gf
100,000 cycles for 260gf
200,000 cycles for 160gf
Rating: 50mA , 12VDC
Contact Resistance: 100mΩ max.
Insulation Resistance: 100MΩ min. at 500VDC
Dielectric Strength: 250VAC/ minute
Contact Arrangement: SPST

MATERIAL

△COVER: Steel, Tin plated
△BASE: UL94V-0, Nylon Thermoplastic
Color: Black
△STEM: UL94V-0 Nylon Thermoplastic
Color: Black (100gf), Brown (160gf)
Red (260gf), Salmon (320gf)
Yellow (520gf)
△CONTACT DISC: Phosphor bronze with silver cladding
△TERMINAL: Brass with silver plated
△CAP: Thermoplastic ABS

SOLDERING PROCESS

△WAVE SOLDERING : Recommended solder temperature at 500°F (260°C) max. 5 seconds subject to PCB 1.6mm thickness (For through hole type)
△HAND SOLDERING : Use a soldering iron of 30 watts, controlled at 350°C approximately 5 seconds while applying solder.

PACKING

Part Number	Number Per Bag	
DTSA-6	500	
DTSG-6	1000	
DTSG-2	500	