

Description

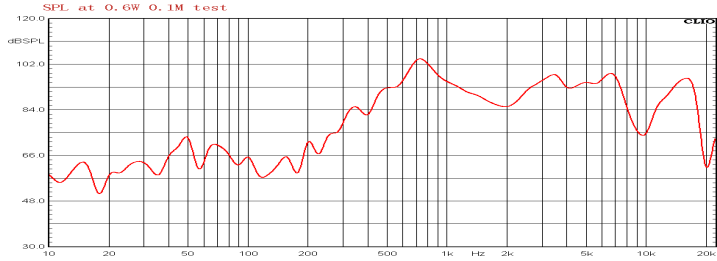
Chinasound SMD Micro Speaker 29mm width, Round frame, 8mm height - 8 ohm rated impedance, Smco, 0.6W rated power – type PI cone, 700 Hz rated frequency, lead Free solderable and RoHS compliant

- ◆ RoHS compliant
- ◆ Water-proof
- ◆ Lead Free Reflowing Solderable

Picture



Frequency Response Curve tested by CLIO at 0.6W 0.1m

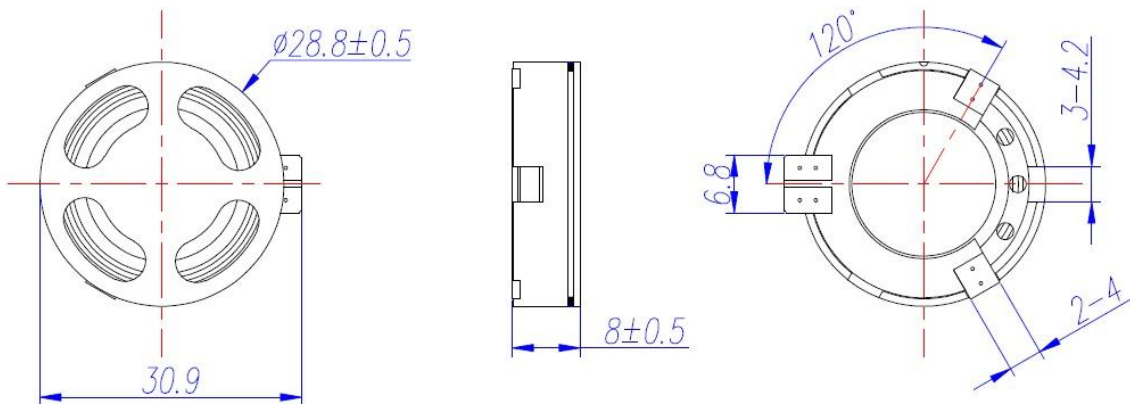


Specification

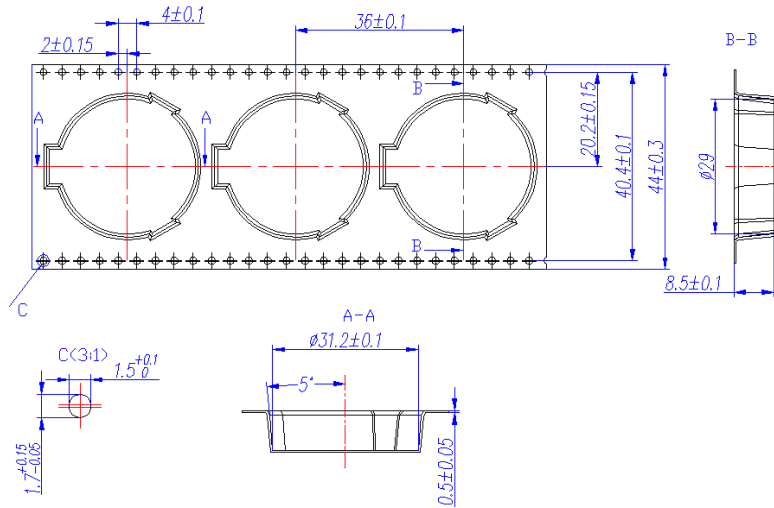
Rated Impedance	8+/-15% ohm (Other Rated Impedance is available.)
Rated Power	0.6 W
Max. Power	1 W
Resonant Frequency	700+/-20% Hz
Frequency Range	fo ~ 20,000 Hz
Sound Pressure Level	97+/-3dB 0.6W 0.1m(Average of SPL values at 800 1,000 1,200 & 1,500 Hz.)
Distortion	≤5% at 0.6W 1KHz
Operating Temperature	-40°C to +85°C
Storage Temperature	-40°C to +90°C
Termination	PCB, Sn plated
Construction Materials	Plastic, LCP Vectra E130i
	Diaphragm PI Mylar
Weight (Typical)	9g
Reliability	<ul style="list-style-type: none"> *Buzzes & Rattles Must be normal at 2.19V(=0.6W) sine wave *Load Test 0.6W white noise for 96hrs *High Temperature no function at +90 +/-2°C for 96 hours, function at +85+/-2°C for 16 hours, *Low Temperature no function at -40+/-2°C for 96 hours, function at -40+/-2°C for 16 hours, *Humidity +40+/-2C°, 90 ~ 95% R.H. for 48hrs *Thermal Shock -40+/-2°C, 30min→+20°C,15min,→+85+/-2°C, 30min→+20°C,15min, 5 cycles *Vibration 1.5mm with 10 to 50Hz of vibration frequency to each of 3 perpendicular direction for 2 hrs
Warranty	For a period of one (1) year from date of manufacture under normal operations

* All specifications must be satisfied after the test (Recovery:2 to 4 hrs of recovery under the standard condition after the removal from test chamber).

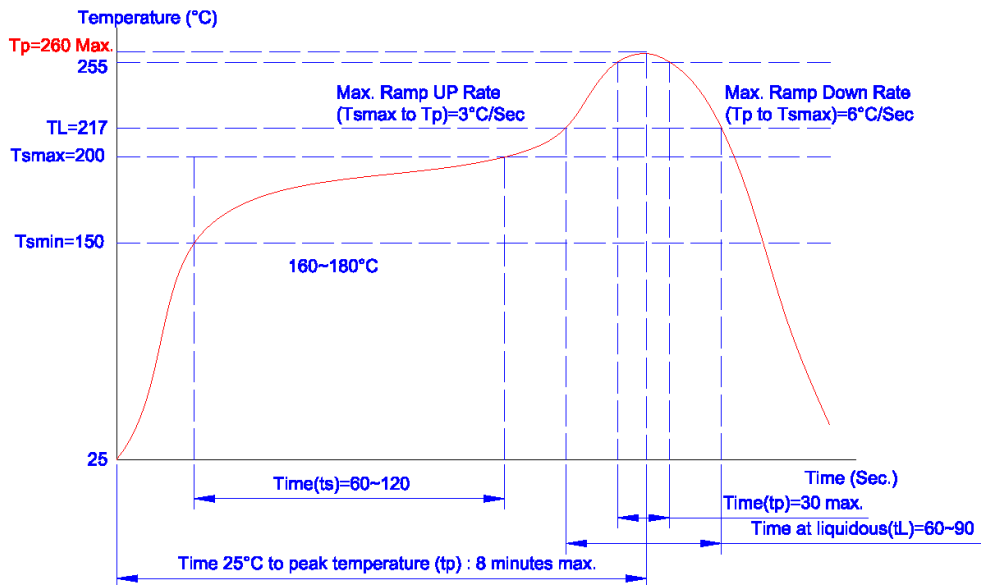
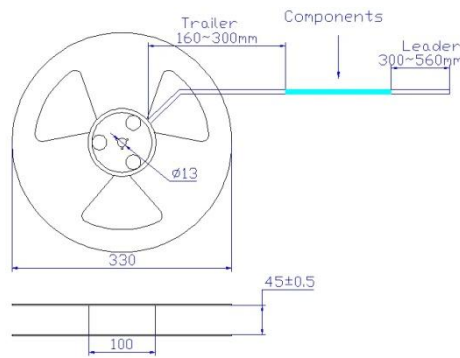
Dimensions (Unit: mm)



Tape & Reel Dimensions (Unit:mm)



1. 10 sprocket holes pitch cumulative tolerance +/-0.20mm.
2. Carrier camber not to exceed 1 mm in 100 mm.
3. Ao and Bo measured on a plane on a place 0.3 mm above the bottom of the pocket.
4. Ko measured from a plane on the inside bottom of the pocket to the top surface of the carrier.
5. All dimensions meet EIA-481-2-A requirements.
6. Thickness: 0.50+/-0.05 mm.
7. Component loaded per 15" reel: 250 pcs.



All specifications are subject to change without notice

Revisions History

Composed by: Chrissy D/170719 Checked by: James Z, Ethan X /170719 Approved by: William W/170719



CHANGZHOU CHINASOUND ELECTRONICS CO., LTD.

Tel: +86-519-86182518 Fax: 86182519

<http://www.chinasound.com>

email: market@chinasound.com

ISO9001 certified

Version Number	Description	Name	Date
SP1.10.081-A0	Original, CSMS29R8-8N0.6-P700R	Chrissy Deng	2017-03-15
SP1.10.081-A1	1)Change the material of the magnet from NdFeB to Smco 2) Add Distortion and Tape & Reel Dimensions	Chrissy Deng	2017-07-19

Composed by:Chrissy D/170719 Checked by: James Z, Ethan X /170719 Approved by: William W/170719

ChinaSound

CHANGZHOU CHINASOUND ELECTRONICS CO., LTD.

Tel: +86-519-86182518 Fax: 86182519

<http://www.chinasound.com>

email: market@chinasound.com