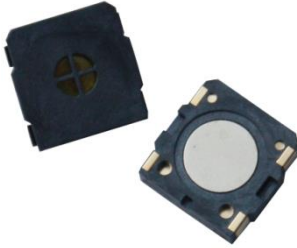


**Description**

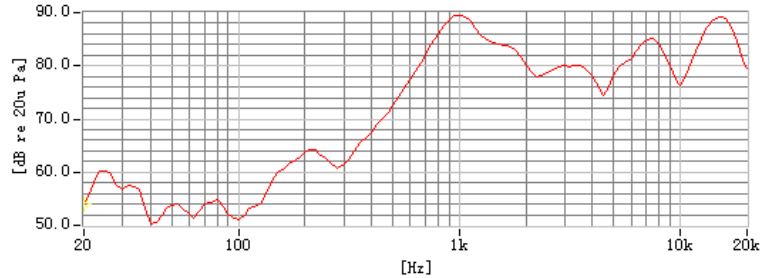
Chinasound SMD Micro Speaker 13mm width, Square frame, 4mm height - 8 ohm rated impedance, SmCo magnet, 0.3W rated power - type PI cone, 950 Hz rated frequency, lead Free solderable and RoHS compliant

- ◆ RoHS compliant
- ◆ Water-proof
- ◆ Small size
- ◆ Lead Free Reflowing Solderable

**Picture**



**Frequency Response Curve** tested by Sound Check 6.0 at 0.3W 0.1m

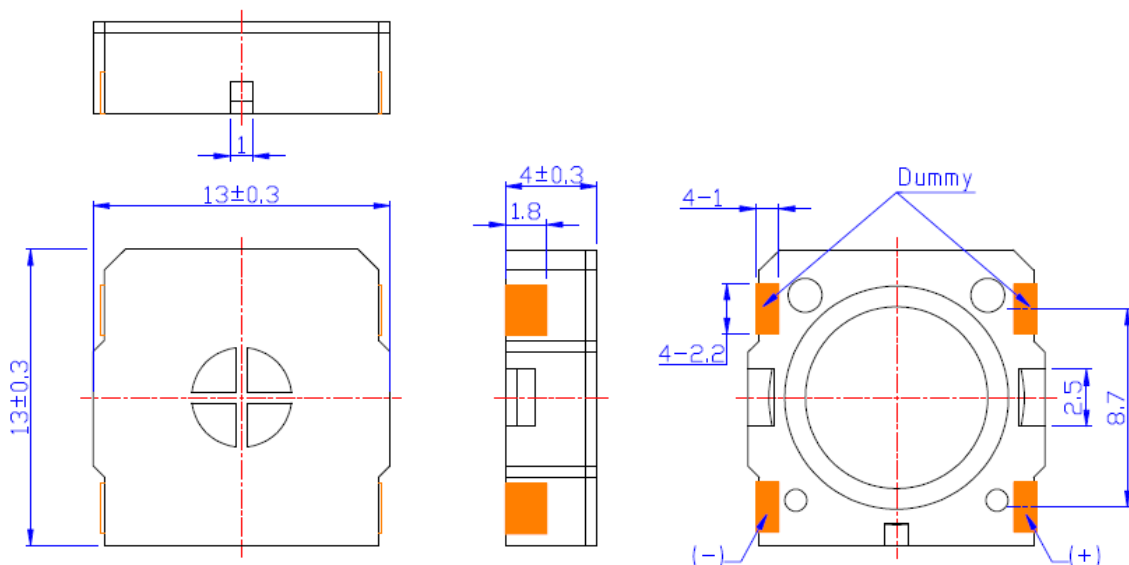


**Specification**

Rated Impedance	8+/-15% ohm (Other Rated Impedance is available.)
Rated Power	0.3 W
Max. Power	0.5 W
Resonant Frequency	950+/-20% Hz
Frequency Range	fo ~ 20,000 Hz
Sound Pressure Level	87+/-3 dB 0.3W 0.1m(Average of SPL values at 800 1,000 1,200 & 1,500 Hz.)
Operating Temperature	-40°C to +85°C
Storage Temperature	-40°C to +90°C
Termination	Soldering pads, gold plated Brass
Construction Materials	Case Plastic,LCP Diaphragm PI Mylar
Weight (Typical)	1.1 g
Reliability	Must be normal at 1.55V(=0.3W) sine wave 0.3W white noise for 96hrs no function at +90 +/-2°C for 96 hours, function at +85+/-2°C for 16 hours, no function at -40+/-2°C for 96 hours, function at -40+/-2°C for 16 hours, +40+/-2°C, 90 ~ 95% R.H. for 48hrs -40+/-2°C, 30min->+20°C,15min,->+85+/-2°C, 30min->+20°C,15min, 5 cycles 1.5mm with 10 to 50Hz of vibration frequency to each of 3 perpendicular direction for 2 hrs
Warranty	For a period of one (1) year from date of manufacture under normal operations

\* All specifications must be satisfied after the test (Recovery:2 to 4 hrs of recovery under the standard condition after the removal from test chamber).

**Dimensions ( Unit: mm )**



Composed by: Chrissy D/150817 Checked by: Johnny Z, James Z /150817 Approved by: William W/150817



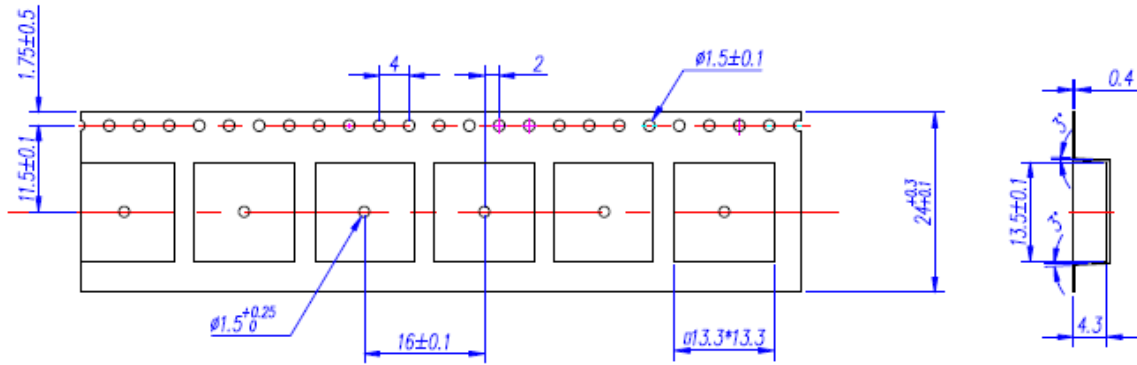
CHANGZHOU CHINASOUND ELECTRONICS CO., LTD.

Tel: +86-519-86182518 Fax: 86182519

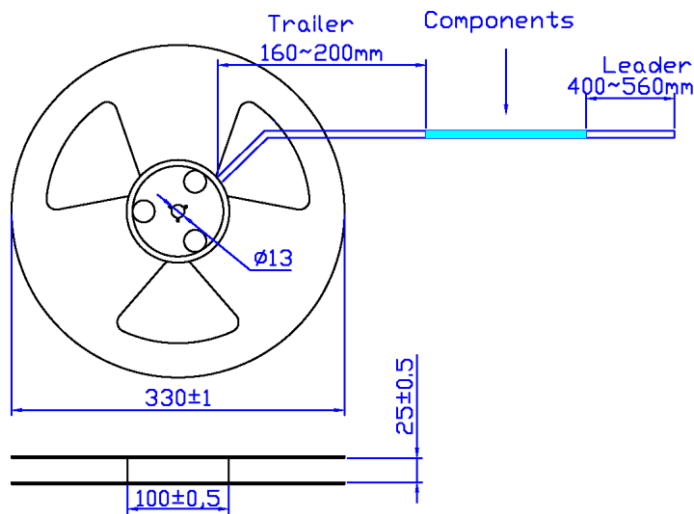
http://www.chinasound.com

email: market@chinasound.com

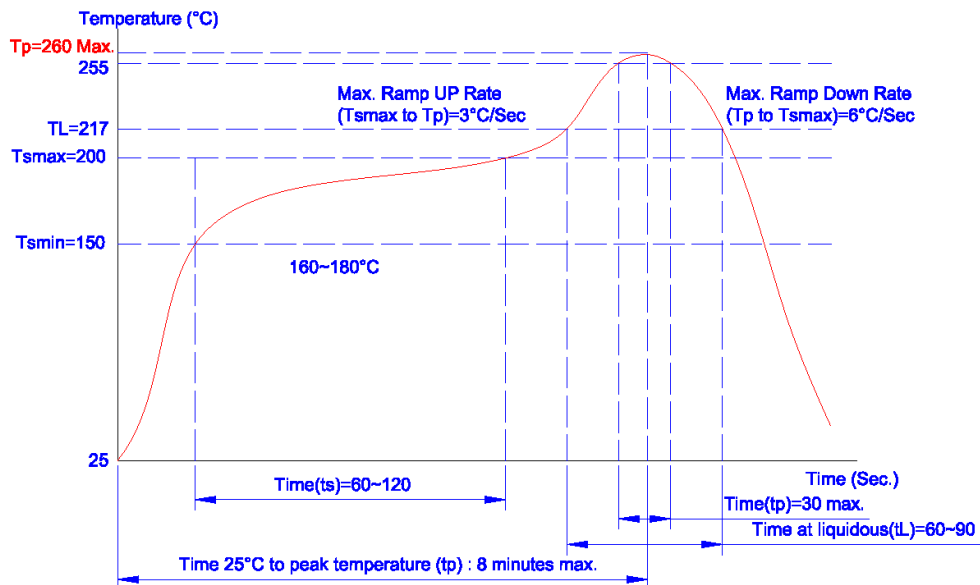
Tape & Reel Dimensions (Unit:mm)



1. 10 sprocket holes pitch cumulative tolerance +/-0.20mm.
2. Carrier camber not to exceed 1 mm in 100 mm.
3. Ao and Bo measured on a plane on a place 0.3 mm above the bottom of the pocket.
4. Ko measured from a plane on the inside bottom of the pocket to the top surface of the carrier.
5. All dimensions meet EIA-481-2-A requirements.
6. Thickness: 0.40+/-0.05 mm.
7. Component loaded per 13" reel: 1000 pcs.



Recommend Reflowing Profile



All specifications are subject to change without notice

**Revisions History**

Version Number	Description	Name	Date
SP1.10.039-A0	Original, CSMS13S4-8S0.3-P950F	Chrissy Deng	2015-08-17

Composed by: Chrissy D/150817    Checked by: Johnny Z, James Z /150817    Approved by: William W/150817

**ChinaSound**

**CHANGZHOU CHINASOUND ELECTRONICS CO., LTD.**

Tel: +86-519-86182518    Fax: 86182519

<http://www.chinasound.com>

email: [market@chinasound.com](mailto:market@chinasound.com)