

## LIGHT ENGINE VIOLET UVC 281mm x 19.2mm 420mW + Red Alert Light

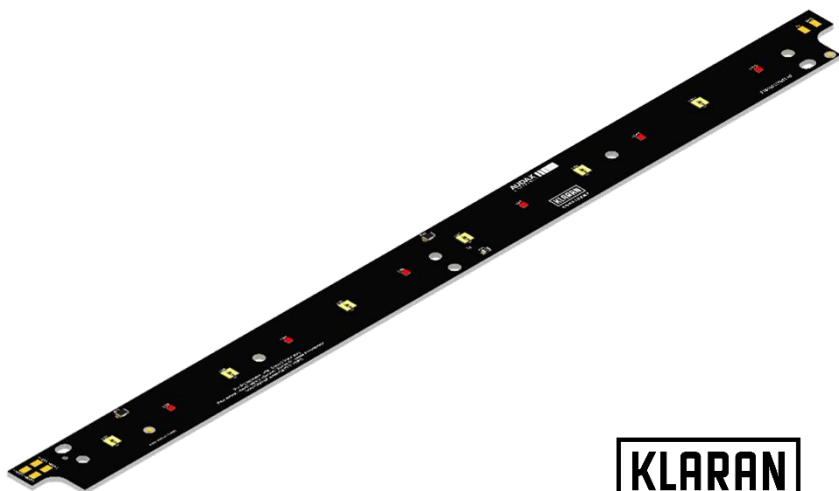
Issue Date	August, 2021
Issued by	Malassise, V.

### Applications

- Medical sterilization
- Drinking water disinfection
- Infectious disease control
- Food processing sterilization
- Air sterilization

### Characteristics

- UV Type - UVC
- Wavelength – 260-270nm
- Efficacy - up to 1.5%
- 05 years warranty



### DRIVING CURRENTS

Parameter	Nominal	Max
LIGHT ENGINE VIOLET UVC 281mm x 19.2mm 420mW	1,000 mA	1,200 mA

### MODULE TEMPERATURES

Parameter	Nominal	Max
Tc (temperature at Tc point)	40 °C	60 °C

### PRODUCT PART NUMBER

**80338400100**

UVC – 260-270 nm

### TECHNICAL INFORMATION

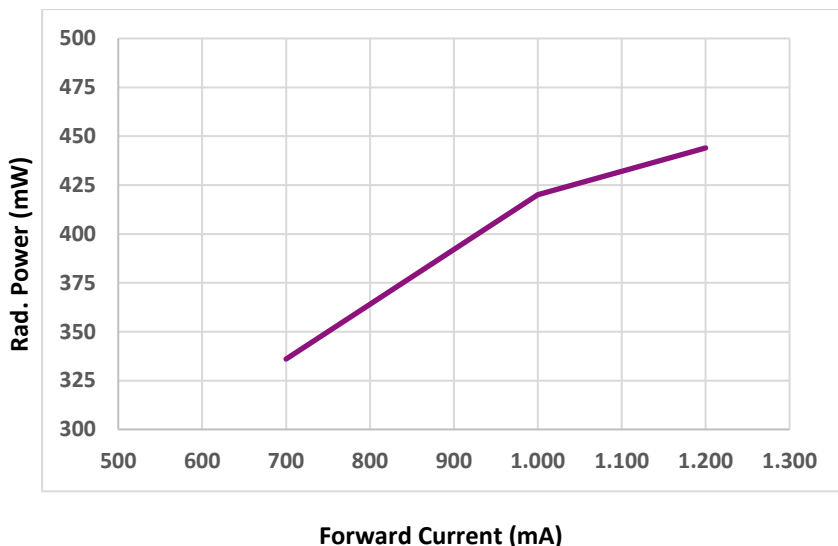
UV Type	Wavelength (nm)	#LEDs	Forward Current (mA)	Rad. Power (mW)	Forward Voltage (V)	Power (W)	Ts (°C)	EFF (%)
UVC	260-270	6 UVC + 6 RED	700	336	32.7	22.9	40	1.5
			1,000	420	34.4	34.4	40	1.2
			1,200	444	36.1	43.3	40	1.0

### LED TYPE

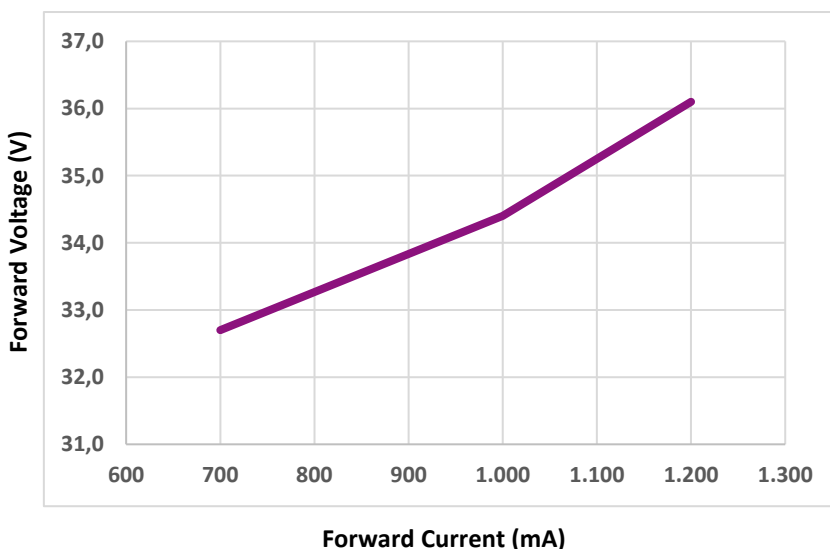
Manufacturer: Crystal IS, Klaran

LED Series: KL265

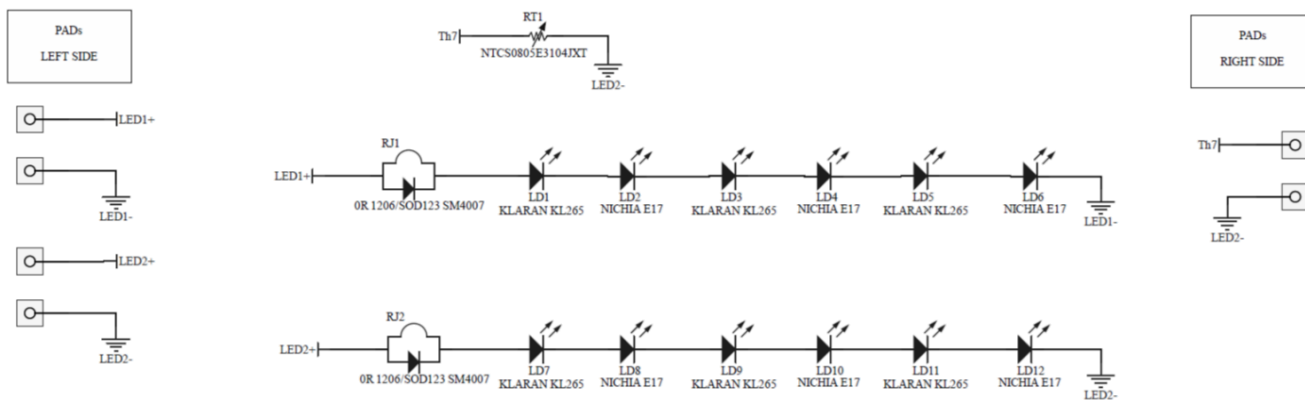
Rad. Power (mW) x Forward Current (mA) (Tj 75°C)



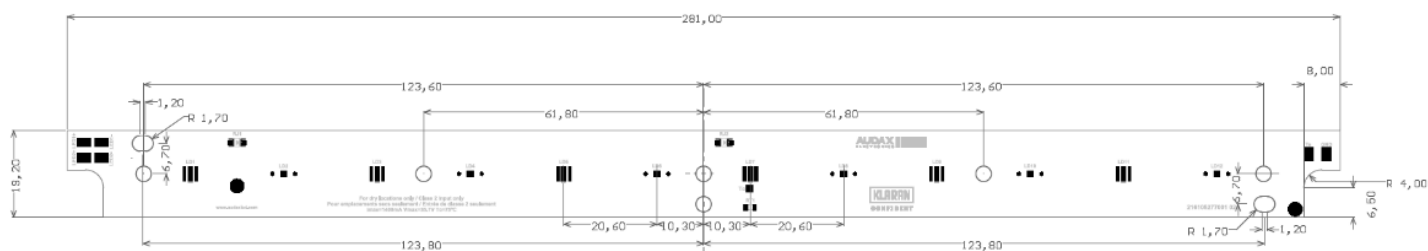
Forward Voltage (V) x Forward Current (mA) (Tj 75°C)



SCHEMATICS



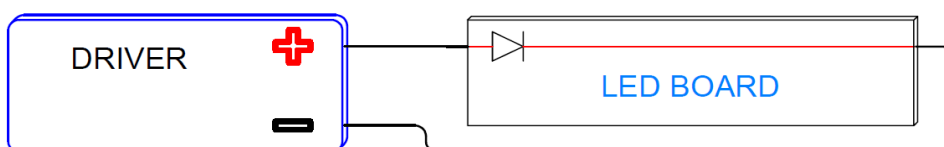
## MECHANICAL DRAWING



Units: mm

## WIRING

Specification item	Value	Unit	Condition
Input wire cross- section	0.25...0.75	mm <sup>2</sup>	Solid wire
	18...24	AWG	
Input wire strip length	7.5...8.5	mm	Solid wire
Input wire cross-section	0.33...0.5	mm <sup>2</sup>	Stranded wire
	20...22	AWG	
Input wire strip length	7.5...8.5	mm	Stranded wire



## COMPATIBLE OPTICS

Manufacturer	Part Number	Color	Beam
LEDiL	FN17294_VIOLET-12X1-S	Clear	~20°



