

VECO VANSONIC ENTERPRISE CO., LTD.

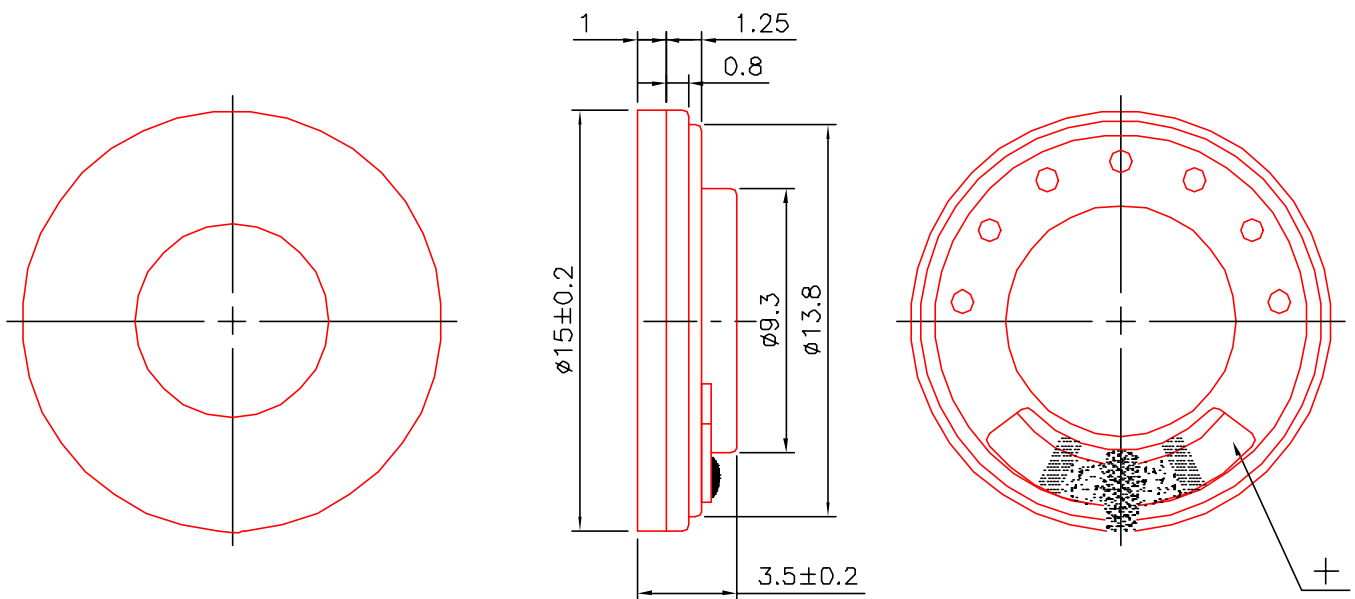
8F., No.7, Lane 16, Sec.2, Szechwan Road, Panchiao, Taipei Hsien, TAIWAN.

TEL: +886-2-29626335

FAX: +886-2-29625220

E-MAIL: VANSONIC@MS4.HINET.NET

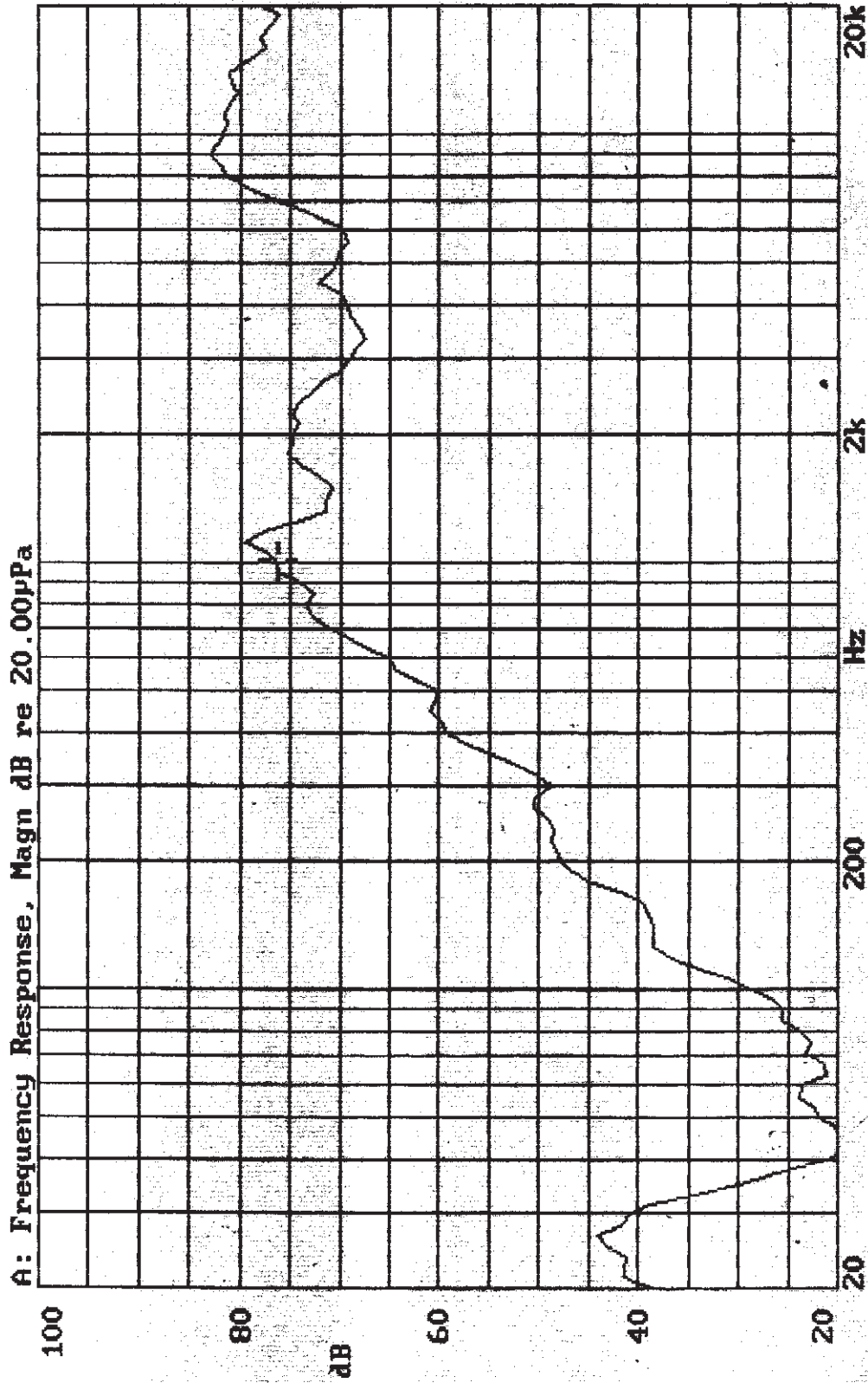
1.	MODEL:	15CR08FLQ -M25ND(Black Mylar)-M25NT(Clear Mylar)			
2.	Dimension	Outer Diameter	15 mm.	Baffle Opening	14.1 mm.
		Height	Refer to Drawing.	Weight	1.8 Grams.
3.	Magnet	Materials	Rare Earth	Size	∅ 6.5X 1.3 mm.
4.	Nominal Impedance	8	± 15 %	At	1000 Hz.
5.	Power Rating	Normal	300 mW.	Maximum	500 mW.
6.	Lowest Resonant Frequency	1000	± 20 %		Hz.
7.	Output Sound Pressure Level (S.P.L.)	75	± 3 db / 0.3 Watt		0.5 Meter.
		Average at	1000, 1200, 1500, 2000		Hz.
8.	Frequency Range	600 ~ 20000	Hz.	Average SPL	- 10 db.
9.	Distortion	5 %	Maximum At	1000 Hz.	300 mW.
10.	Abnormal Sound Test	Must be Normal Tested By		1.6 Volts.	Sine Wave.
11.	Load Test	White Noise with Weighted Filter		1.6 Volts.(RMS)	24Hrs.
12.	Polarity	Diaphragm shall move Forward when Apply a Positive DC.			
		Current to the "+" or "Marked" Terminal.			



Unit : mm

Housing Material : METAL

15CR08FLQ-M25NT VOL:1.549V(0.3W) DIS:0.5M VANSOONIC
X:1.0000kHz *Y:76.40dB ZA:1.0000 SSR Fund.



30-AUG-2001 20:34:22

Mode: SSR

