

## 0.5mm Contact Spacing, ZIF Type Board To FPC Connectors Flip-Lock (Rotatory Cover) EFC-PT24 SERIES (RF/RD)

### FEATURES

- 0.5mm contact spacing.
- No. of contacts: 4~50 pin.
- Connector Heights: 1.85mm, 5.41mm
- Available in embossed type for automatic mounting.

### SPECIFICATIONS

#### 1.ELECTRICAL

- Voltage rating: 50V (per contact)
- Current rating: 0.5A (per contact)
- Dielectric Withstanding Voltage: 250VAC RMS
- Contact resistance: 20mΩ max.(initial), 40mΩ max.(final)
- Insulation resistance: 50MΩ min.
- Accommodated FFC/FPC Thickness: 0.30mm

#### 2.MECHANICAL

- Durability: Mate & Unmate with applicability for 20 times, Contact resistance: 40mΩ max.
- Operating force (Slider): 0.05kgf\*n(0.49N\*n) max.(n: Pin)
- Cable holding force: 0.03kgf\*n(0.294N\*n) min.(n: Pin)
- Contact retention force: 0.1kgf (0.98N) min.

### MATERIALS

#### 1.MATERIAL

- Contacts: Copper Alloy
- Hold Down: Copper Alloy
- Insulator Housing: High Temp. Thermoplastic
- Slide: High Temp. Thermoplastic

#### 2.PLATING

##### Contact:

- Nickel In All Area
- Tin over Nickel (RoHS Compliant)
- Au over Nickel (RoHS Compliant)

##### Hold Down:

- Tin over Nickel (RoHS Compliant)

### PACKING

#### 1.Packing method

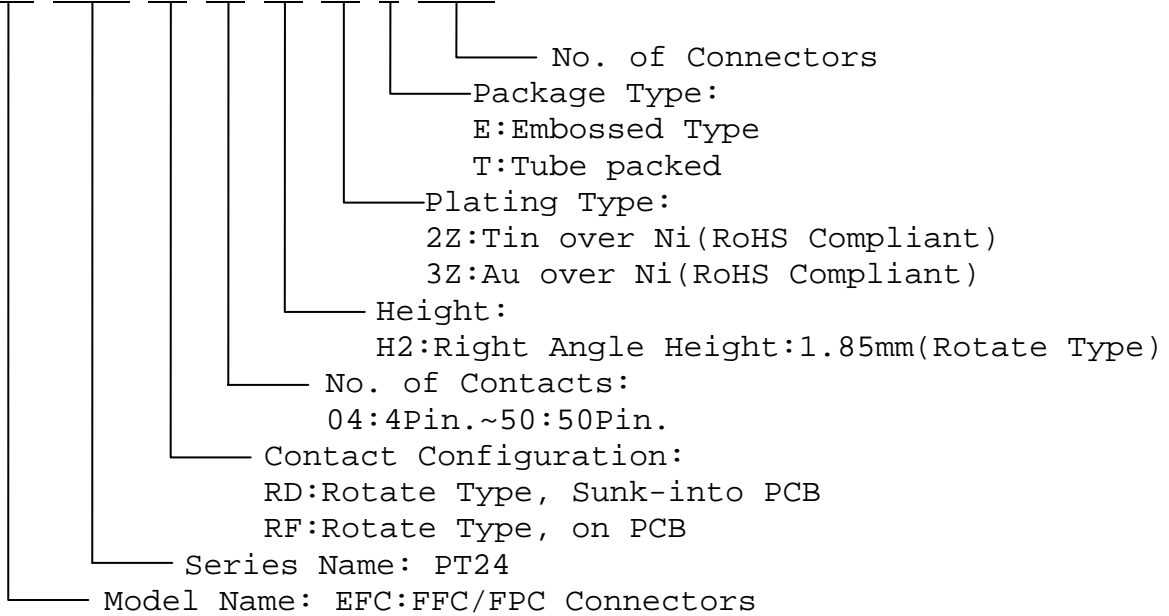
1-1.All connector are packed in tube or reel methods.

#### 2.Information on label (stuck to each ploy bag, reel and box)

- |              |                  |              |              |
|--------------|------------------|--------------|--------------|
| (1)Part NO.  | (2)Section.      | (3)Lot NO.   | (4)Quantity. |
| (5)QC stamp. | (6)Reprocess NO. | (7)ECE mark. |              |

## PART NUMBERING SYSTEM

EFC-PT24-RD 30 H2-3Z-E 2200



## DRAWING

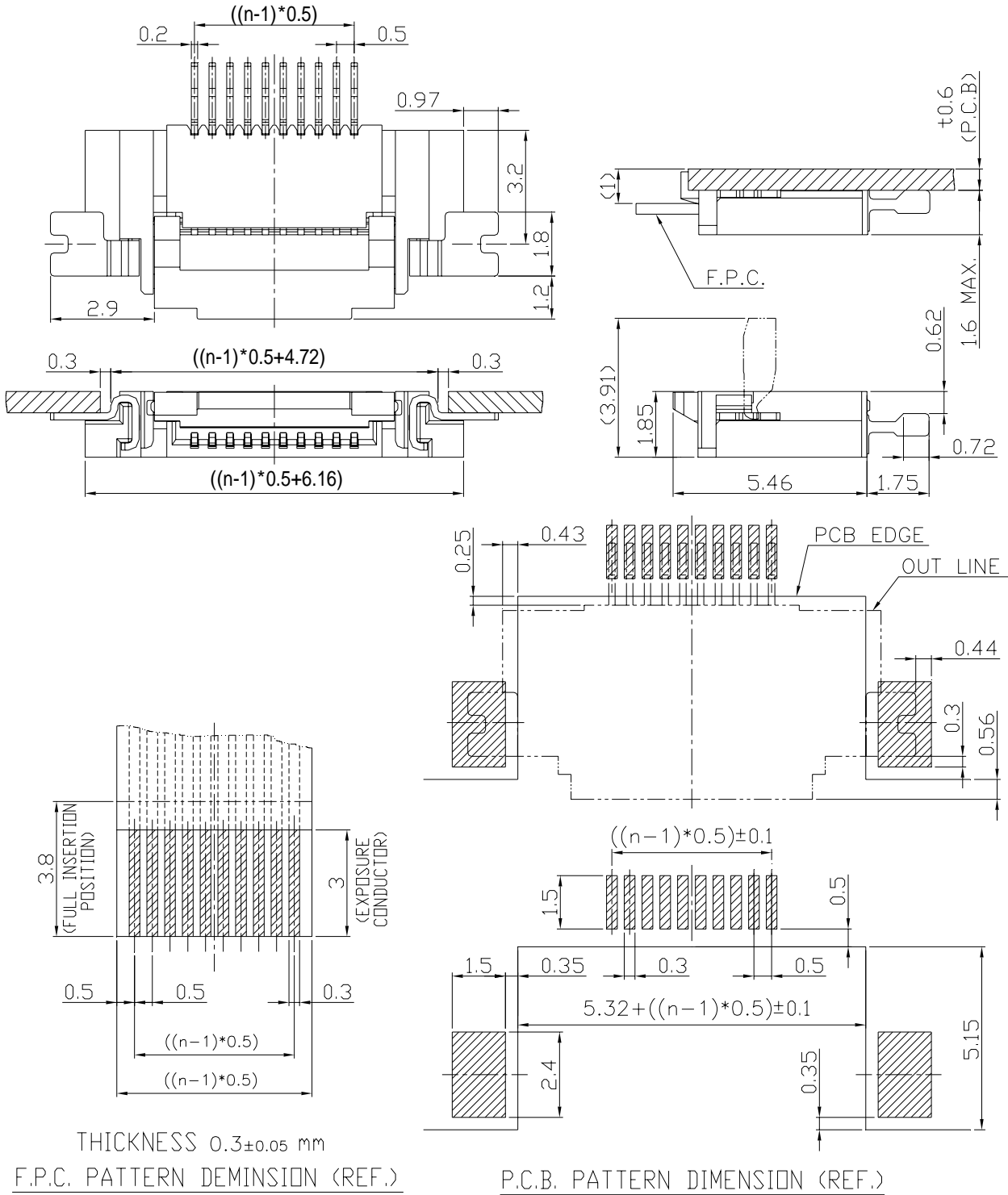
**EFC-PT24-RD\*\*H2-3Z**



**EFC-PT24-RF\*\*H2-3Z**



EFC-PT24-RD\*\*H2-3Z UNIT:mm  
Connection Style: Right Angle Sunk-into PCB.



EFC-PT24-RF\*\*H2-3Z UNIT:mm  
Connection Style: Right Angle On PCB.

